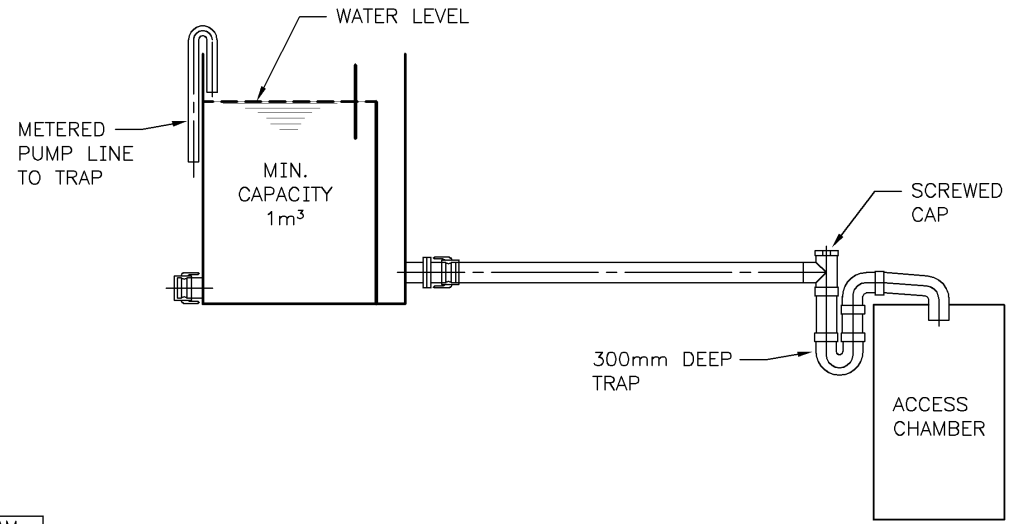
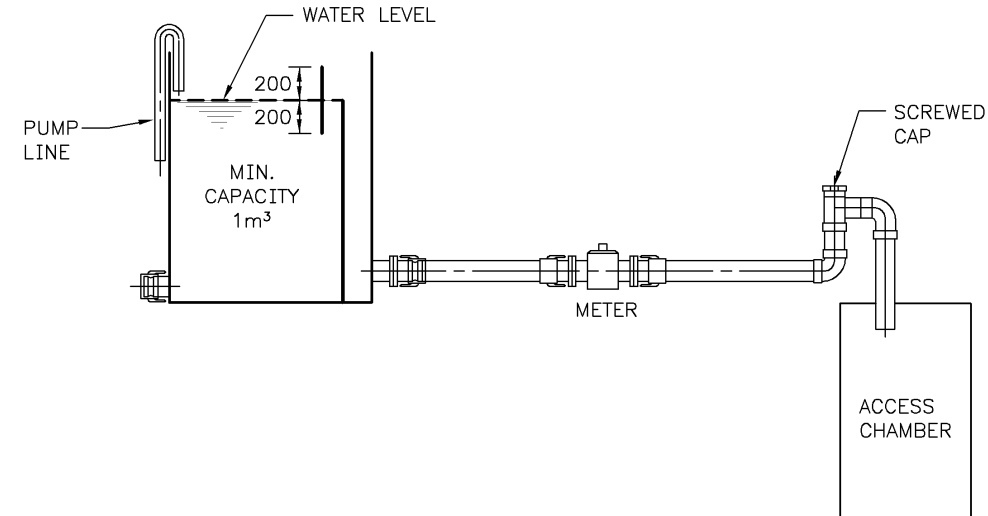


**GUIDELINES**

1. TO BE USED FOR DEWATERING OF SITE FOR CONSTRUCTION PURPOSES ONLY.
2. MINIMUM CAPACITY OF SETTLING TRAP IS 1000 LITRES AND MUST BE SIZED CORRECTLY TO ALLOW ADEQUATE SETTLING OF SUSPENDED MATTER BEFORE BEING DISCHARGED TO SEWER.
3. AN ACCESSIBLE SAMPLING POINT IS TO BE PROVIDED DOWNSTREAM OF THE SETTLING TRAP.
4. TO PREVENT ESCAPE OF SEWER GASES TO THE ENVIRONMENT, A 300mm DEEP WATER TRAP IS TO BE PROVIDED BETWEEN THE SETTLING TRAP AND THE CONNECTION POINT. ALL CONNECTIONS IN THE PIPEWORK AND TO THE DISCHARGE POINT MUST BE GAS TIGHT.
5. THE DISCHARGE RATES AND VOLUMES MUST BE VERIFIABLE IE. THROUGH AN APPROVED FLOW METER INSTALLED DOWNSTREAM OF THE SETTLING TRAP OR BY MEANS OF A METERED PUMP.
6. THE DEWATERING SETUP MUST HAVE APPROPRIATE SAFETY BARRICADING FOR THE DURATION OF THE DISCHARGE TO SEWER.
7. ALL CONNECTION POINTS AT ACCESS CHAMBERS ARE TO BE PROVIDED BY THE WATER CORPORATION.
8. UNDER NO CIRCUMSTANCES ARE ACCESS CHAMBER LIDS TO BE REMOVED BY ANYONE OTHER THAN WATER CORPORATION EMPLOYEES OR AUTHORISED CONTRACTORS.



B	06/2009		NOTES 5 & 8 MODIFIED	RJ	GC	AM
ISSUE	DATE	GRID	REVISION	DRN	REC	APPD

SCALE: DIAGRAMMATIC

DES CALC  
DES CHD  
DRN  
K MCGREGOR  
Q.C. CHD  
G CLEAVER

RECOMMENDED 01/08/2005  
A MANZINGER  
SENIOR ASSESSMENTS OFFICER.  
APPROVED 01/08/2005  
J HEWITT  
MANAGER, INDUSTRIAL WASTES



WATER CORPORATION  
TYPICAL DRAWINGS FOR INDUSTRIAL WASTE  
SETTLING TRAP FOR DEWATERING  
FORMERLY TYPICAL DRAWING 3000

FILE	PLAN	CAD	ISSUE
PROJECT	HX33-30-00	B	MF

ORIGINAL SHEET SIZE  
**A3**

283