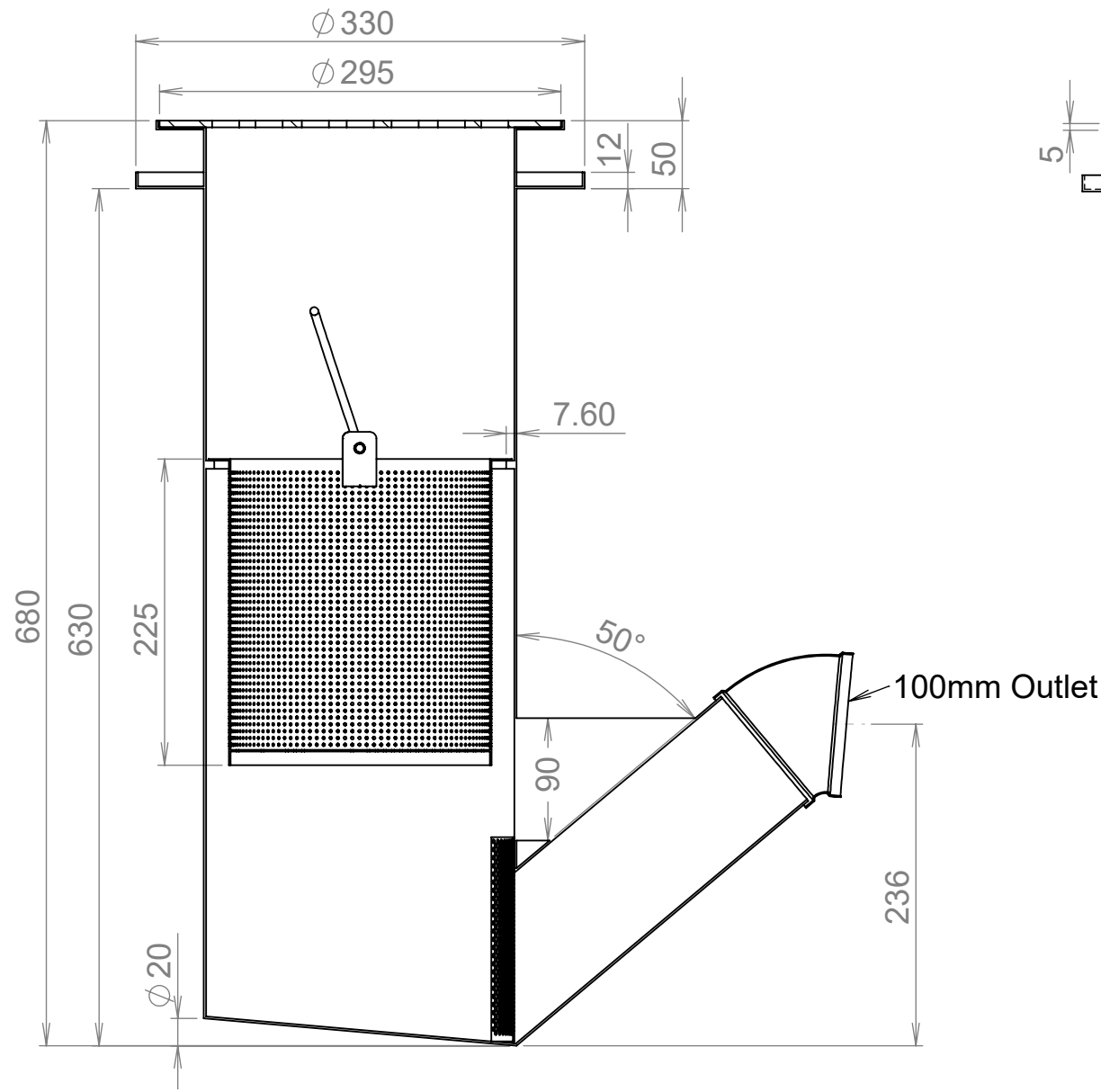
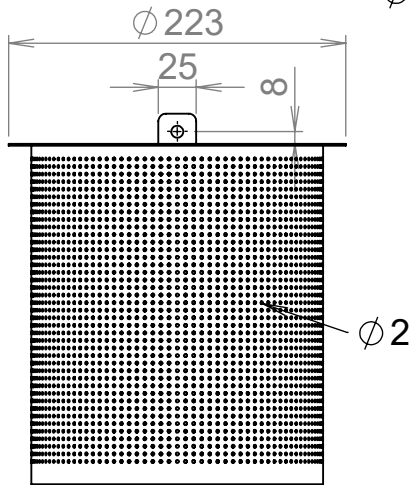
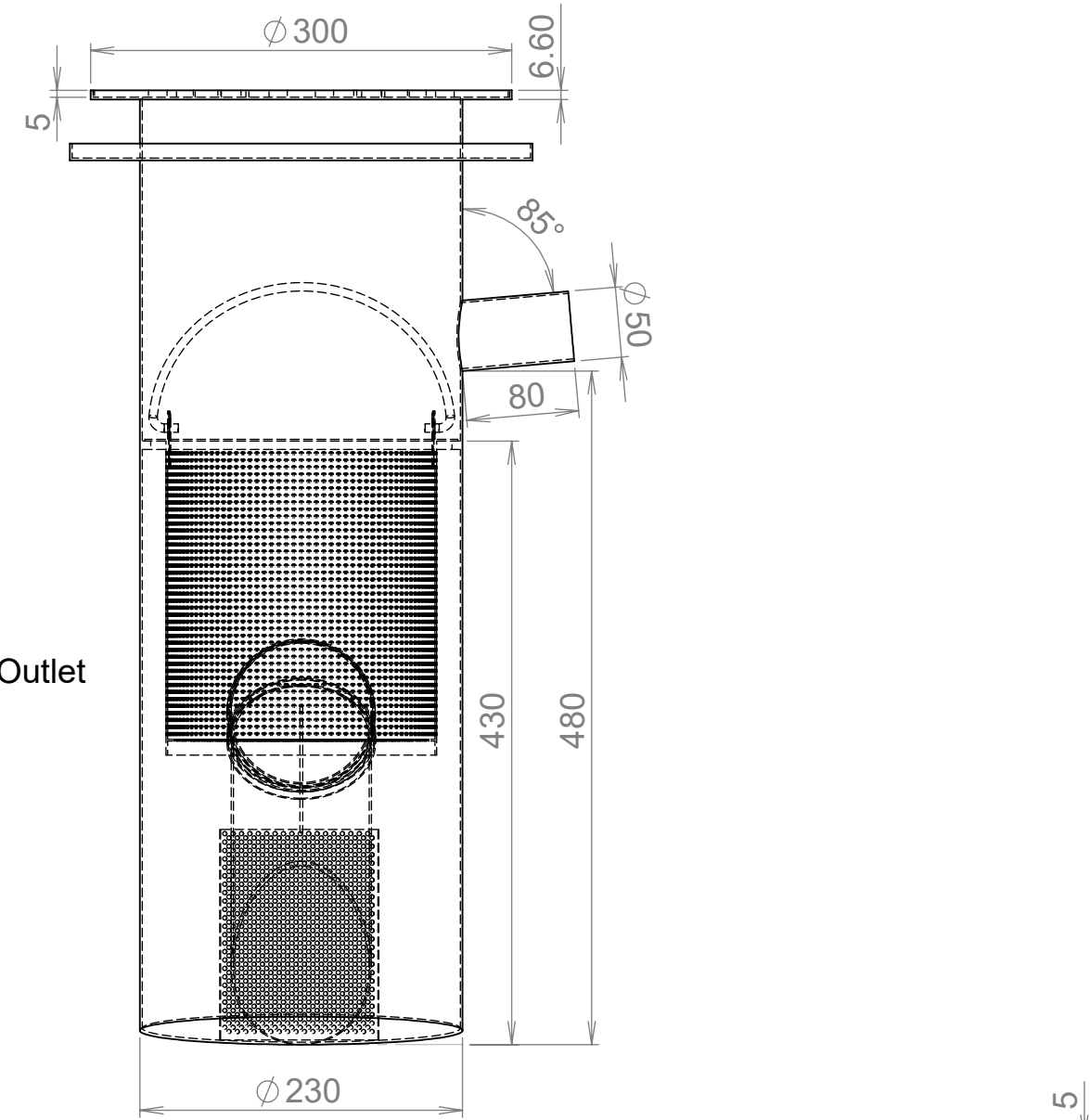


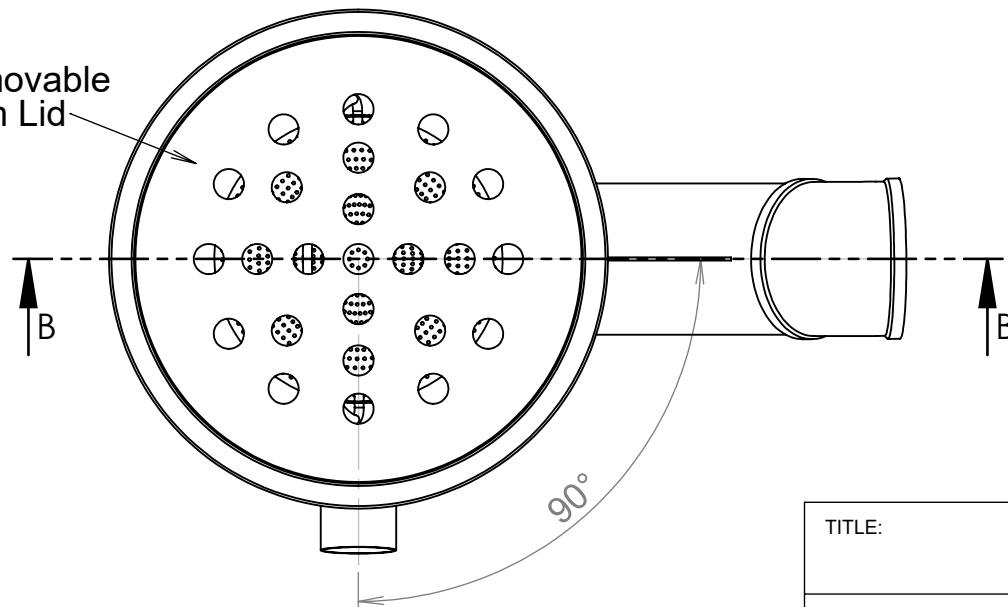
Fixed Screen  
 $\phi$  3mm Mesh



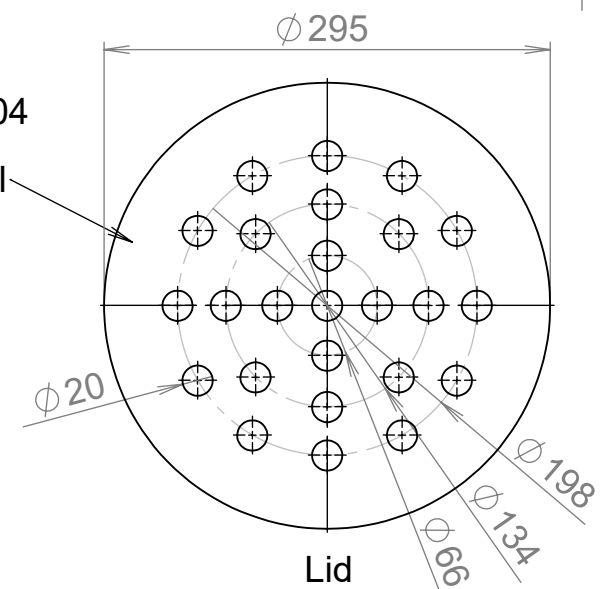
SECTION B-B



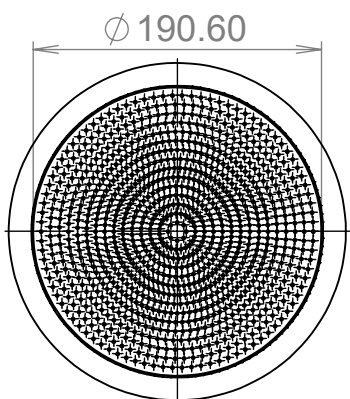
Removable  
 5mm Lid



5mm Grade 304  
 Satin Finish  
 Stainless Steel



Lid



TITLE:	OSCBT-C	DATE:	01/03/17	<p><b>BRITEX</b>        Britex Metal Products Co. Pty Ltd.        ACN: 004 309 737        2 Mirra Ct, Bundoora Victoria 3083        P: 03 9466 9000 F: 03 9466 9044        britex.com.au info@britex.com.au</p>	A3
Drawing:	SD-3841.2	DRAWN:	db		
		CHK'D:			REVISION
UNLESS OTHERWISE SPECIFIED: DIMENSIONS ARE IN MILLIMETERS		APPV'D:			B
DO NOT SCALE DRAWING		SHEET 2 OF 3		SCALE:1:5	