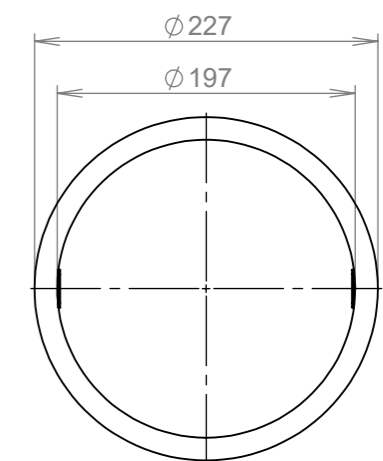
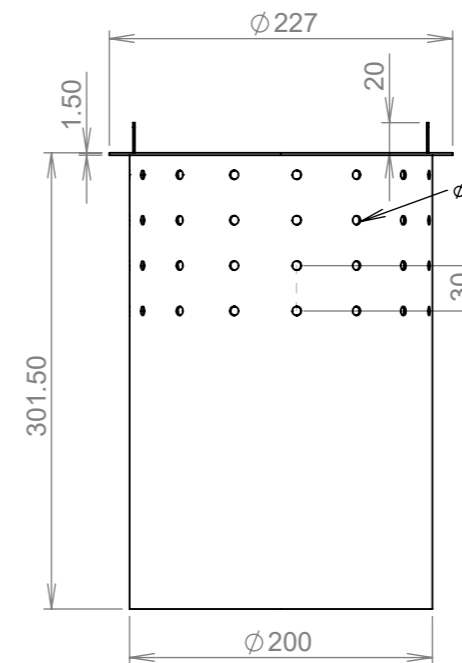
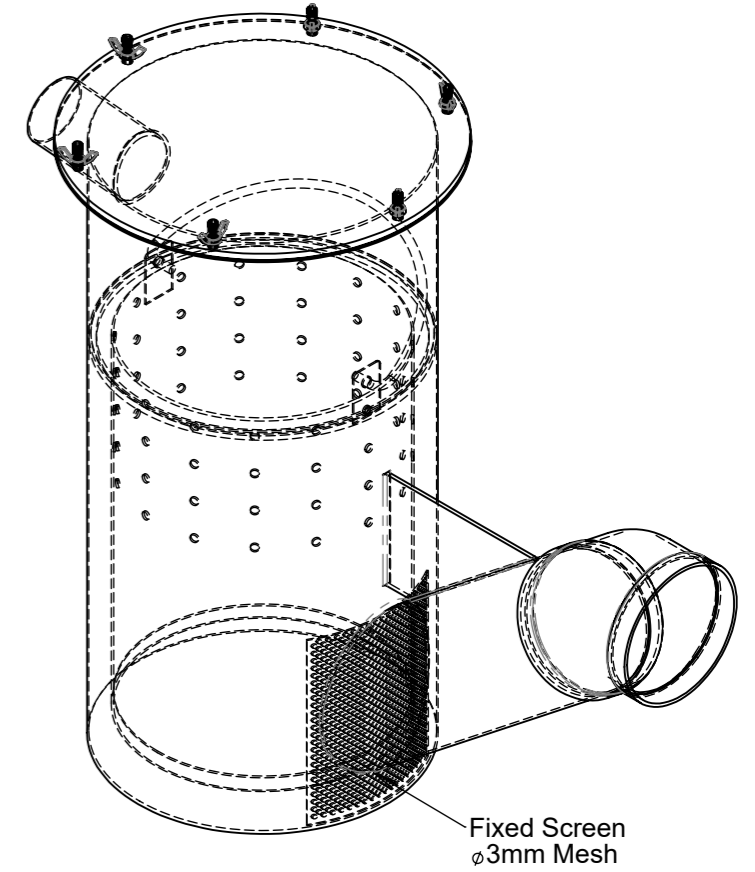
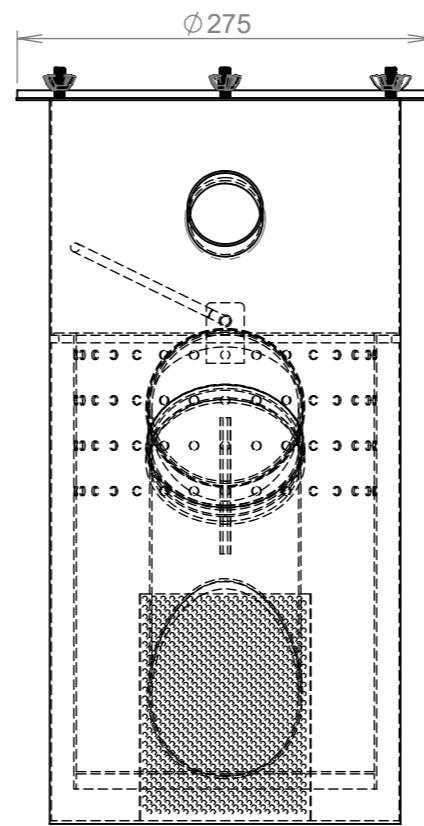
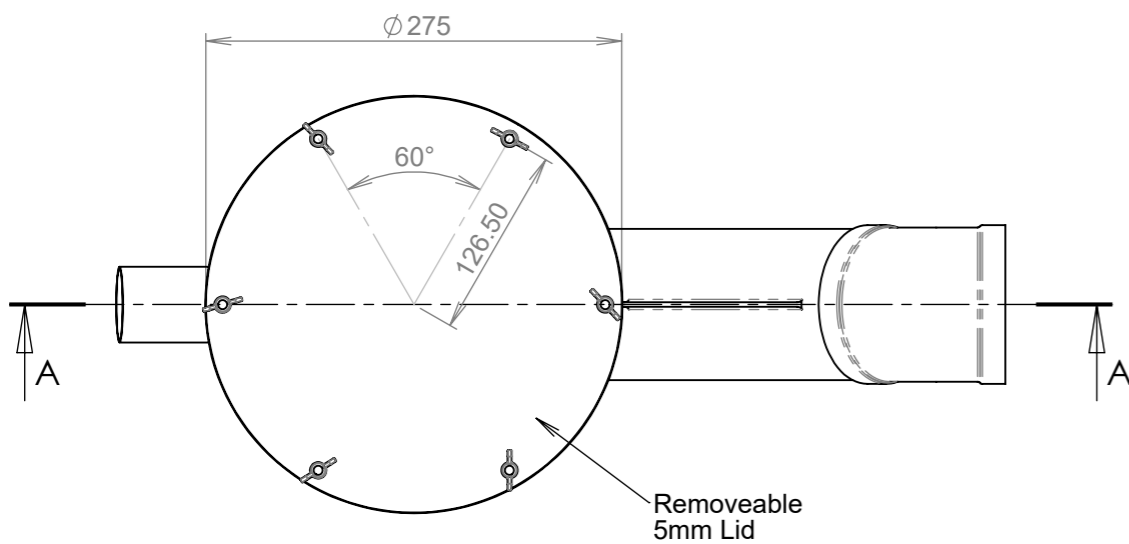



SECTION A-A



TITLE:	OSCPT-A	DATE	01/03/17	 Britex Metal Products Co. Pty Ltd. ACN: 004 309 737 2 Mirra Ct, Bundoora Victoria 3083 P: 03 9466 9000 F: 03 9466 9044 britex.com.au info@britex.com.au	A3
Drawing:	SD-3508.2	DRAWN	db		
		CHK'D			REVISION
UNLESS OTHERWISE SPECIFIED: DIMENSIONS ARE IN MILLIMETERS		DO NOT SCALE DRAWING	SHEET 2 OF 2	SCALE:1:5	B